



Message Implementation Guideline

## REGENT-ORDERS

based on

### **ORDERS**

Purchase order message

### **EANCOM 1997**

Version: 1p0  
Issue date: 10/28/2019  
Author: ecosio GmbH

1 Message Structure .....	2
2 Branching Diagram .....	4
3 Segments .....	10

**Structure / Table of Contents**

Counter	No	Tag	St	MaxOcc	Level	Content
0000	1	UNA	C	1	0	Service string advice
0000	2	UNB	M	1	0	INTERCHANGE HEADER
0010	3	UNH	M	1	0	MESSAGE HEADER
0020	4	BGM	M	1	0	Beginning of message
0030	5	DTM	M	35	1	Date/time/period
0070	6	FTX	C	99	1	Free text
0070	7	FTX	C	99	1	Free text
0070	8	FTX	C	99	1	Free text
0110		SG2	C	99	1	NAD-SG5
0120	9	NAD	M	1	1	Name and address
0210		SG5	C	5	2	CTA-COM-COM
0220	10	CTA	M	1	2	Contact information
0230	11	COM	C	5	3	Communication contact
0230	12	COM	C	5	3	Communication contact
0110		SG2	C	99	1	NAD
0120	13	NAD	M	1	1	Name and address
0110		SG2	C	99	1	NAD
0120	14	NAD	M	1	1	Name and address
0280		SG7	C	5	1	CUX
0290	15	CUX	M	1	1	Currencies
0420		SG11	C	5	1	TOD
0430	16	TOD	M	1	1	Terms of delivery or transport
0930		SG25	C	200000	1	LIN-PIA-PIA-IMD-IMD-IMD-IMD-QTY-DTM-SG28-SG39
0940	17	LIN	M	1	1	Line item
0950	18	PIA	C	25	2	Additional product id
0950	19	PIA	C	25	2	Additional product id
0960	20	IMD	C	99	2	Item description
0960	21	IMD	C	99	2	Item description
0960	22	IMD	C	99	2	Item description
0960	23	IMD	C	99	2	Item description
0980	24	QTY	C	10	2	Quantity
1010	25	DTM	C	35	2	Date/time/period
1180		SG28	C	25	2	PRI
1190	26	PRI	M	1	2	Price details
1600		SG39	C	99	2	ALC
1610	27	ALC	M	1	2	Allowance or charge
2090	28	UNS	M	1	0	SECTION CONTROL
2100	29	MOA	C	12	1	Monetary amount
2160	30	UNT	M	1	0	MESSAGE TRAILER

Counter = Counter of segment/group within the standard  
 No = Consecutive segment number  
 MaxOcc = Maximum occurrence of the segment/group

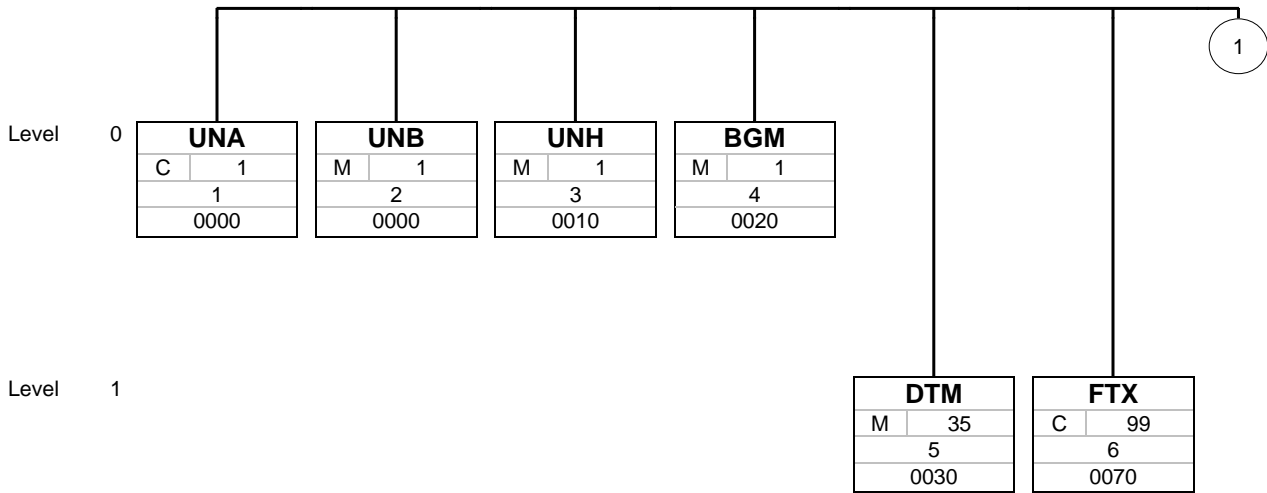
St = Status  
 EDIFACT: M=Mandatory, C=Conditional  
 User specific: R=Required, O=Optional, D=Dependent,  
 A=Advised, N=Not used

Counter	No	Tag	St	MaxOcc	Level	Content
0000	31	UNZ	M	1	0	INTERCHANGE TRAILER

Counter = Counter of segment/group within the standard  
 No = Consecutive segment number  
 MaxOcc = Maximum occurrence of the segment/group

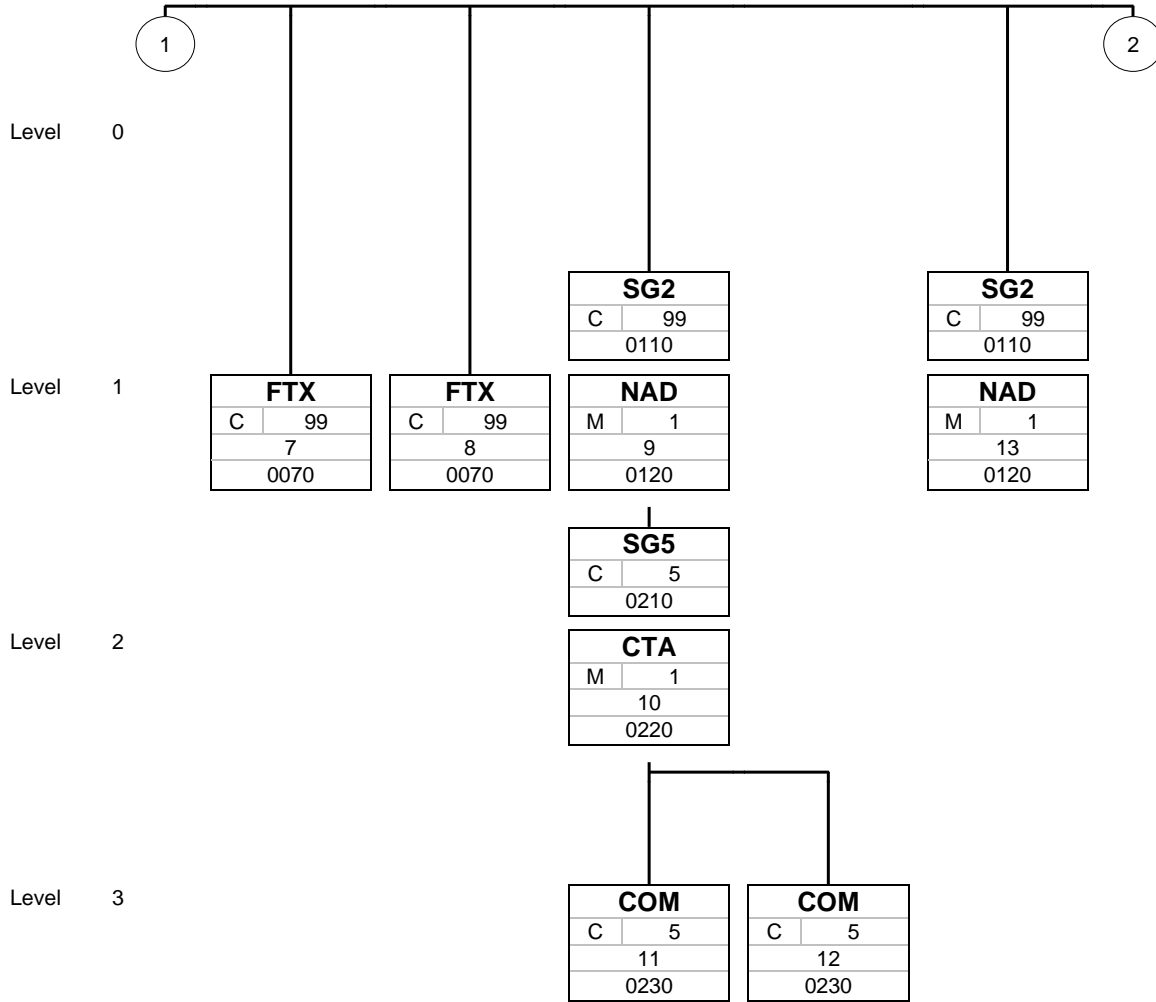
St = Status  
 EDIFACT: M=Mandatory, C=Conditional  
 User specific: R=Required, O=Optional, D=Dependent,  
 A=Advised, N=Not used

**Branching Diagram of Used Segments/Groups**



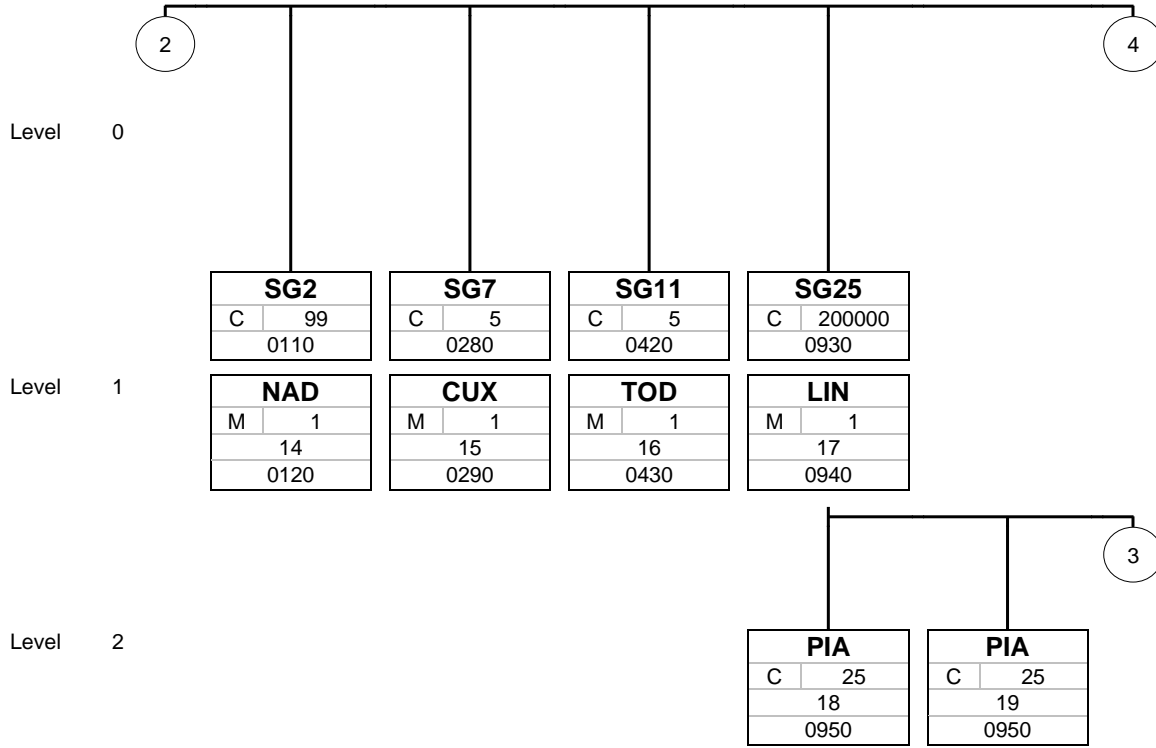
Tag
St MaxOcc
No
Counter

Tag = Segment/Group Tag  
 St = Status (M=Mandatory, C=Conditional, R=Required, O=Optional, A=Advised, D=Dependent)  
 MaxOcc = Maximum occurrence of the segment/group  
 No = Consecutive segment number  
 Counter = Counter of segment/group within the standard



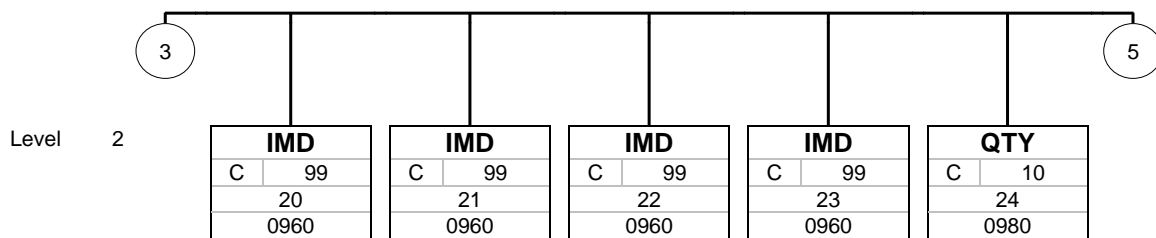
Tag
St MaxOcc
No
Counter

Tag = Segment/Group Tag  
 St = Status (M=Mandatory, C=Conditional, R=Required, O=Optional, A=Advised, D=Dependent)  
 MaxOcc = Maximum occurrence of the segment/group  
 No = Consecutive segment number  
 Counter = Counter of segment/group within the standard



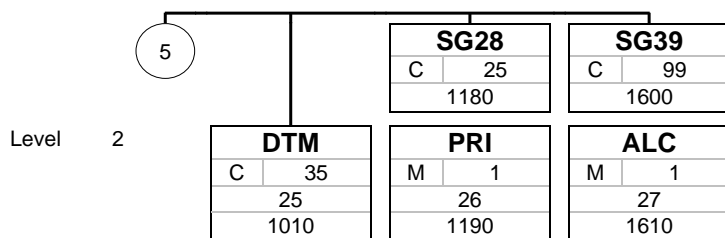
Tag
St MaxOcc
No
Counter

Tag = Segment/Group Tag  
 St = Status (M=Mandatory, C=Conditional, R=Required, O=Optional, A=Advised, D=Dependent)  
 MaxOcc = Maximum occurrence of the segment/group  
 No = Consecutive segment number  
 Counter = Counter of segment/group within the standard



Tag
St MaxOcc
No
Counter

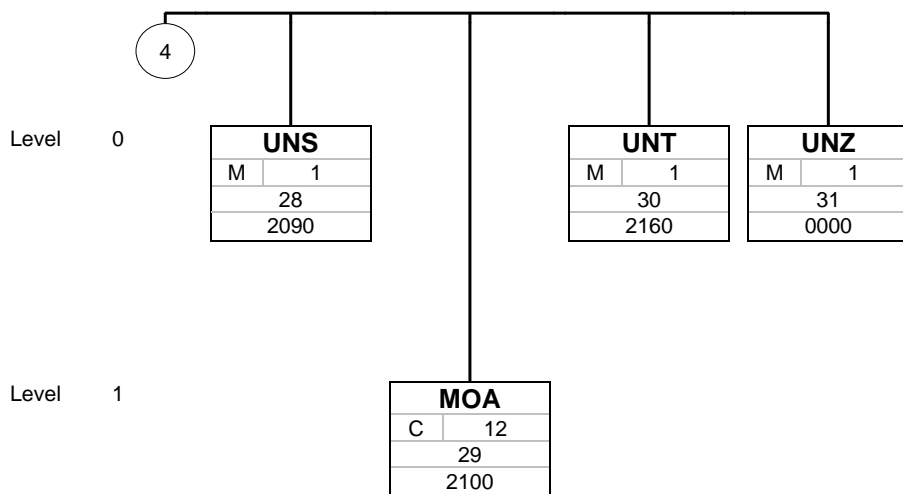
Tag = Segment/Group Tag  
 St = Status (M=Mandatory, C=Conditional, R=Required, O=Optional, A=Advised, D=Dependent)  
 MaxOcc = Maximum occurrence of the segment/group  
 No = Consecutive segment number  
 Counter = Counter of segment/group within the standard



Tag
St MaxOcc
No
Counter

Tag = Segment/Group Tag  
 St = Status (M=Mandatory, C=Conditional, R=Required, O=Optional, A=Advised, D=Dependent)  
 MaxOcc = Maximum occurrence of the segment/group  
 No = Consecutive segment number  
 Counter = Counter of segment/group within the standard





Tag	
St	MaxOcc
No	
Counter	

Tag = Segment/Group Tag  
 St = Status (M=Mandatory, C=Conditional, R=Required, O=Optional, A=Advised, D=Dependent)  
 MaxOcc = Maximum occurrence of the segment/group  
 No = Consecutive segment number  
 Counter = Counter of segment/group within the standard

**Segments**

Counter	No	Tag	St	MaxOcc	Level	Name
---------	----	-----	----	--------	-------	------

0000	1	<b>UNA</b>	C	1	0	Service string advice
------	---	------------	---	---	---	-----------------------

Standard			Implementation	
Tag	Name	St Format	St Format	Usage / Remark
UNA				
UNA1	Component data element separator	M an1	M an1	Used as a separator between component data elements contained within a composite data element (default value: ":")
UNA2	Data element separator	M an1	M an1	Used to separate two simple or composite data elements (default value: "+")
UNA3	Decimal notation	M an1	M an1	Used to indicate the character used for decimal notation (default value: ".")
UNA4	Release indicator	M an1	M an1	Used to restore any service character to its original specification (value: "?").
UNA5	Reserved for future use	M an1	M an1	(default value: space)
UNA6	Segment terminator	M an1	M an1	Used to indicate the end of segment data (default value: "'")

**Remark:**  
Provides details about the special characters used in the message.

**Example:**  
UNA:+.? '

No = Consecutive segment number  
MaxOcc = Maximum occurrence of the segment/group  
Counter = Counter of segment/group within the standard

St = Status  
EDIFACT: M=Mandatory, C=Conditional  
User specific: R=Required, O=Optional, D=Dependent,  
A=Advised, N=Not used

Counter	No	Tag	St	MaxOcc	Level	Name
---------	----	-----	----	--------	-------	------

0000 2 **UNB** M 1 0 INTERCHANGE HEADER

Standard			Implementation	
Tag	Name	St Format	St Format	Usage / Remark
UNB				
S001	SYNTAX IDENTIFIER	M	M	
0001	Syntax identifier	M a4	M a4	Used character set.
0002	Syntax version number	M n1	M n1	<b>3 Version 3</b>
S002	INTERCHANGE SENDER	M	M	
0004	Sender identification	M an..35	M an..35	GLN of the sender. Regent will always use it's GLN 7609999470806
0007	Partner identification code qualifier	C an..4	R an..4	<b>14 EAN International</b>
0008	Address for reverse routing	C an..14	N	Not used
S003	INTERCHANGE RECIPIENT	M	M	
0010	Recipient identification	M an..35	M an..35	GLN of the recipient.
0007	Partner identification code qualifier	C an..4	R an..4	<b>14 EAN International</b>
0014	Routing address	C an..14	N	Not used
S004	DATE/TIME OF PREPARATION	M	M	
0017	Date of preparation	M n6	M n6	Date when the message as created.
0019	Time of preparation	M n4	M n4	Time when the message was created.
0020	Interchange control reference	M an..14	M an..14	Unique identification of the message
S005	RECIPIENT'S REFERENCE PASSWORD	C	N	
0022	Recipient's reference/password	M an..14	N	Not used
0025	Recipient's reference/password qualifier	C an2	N	Not used
0026	Application reference	C an..14	N	Not used
0029	Processing priority code	C a1	N	Not used
0031	Acknowledgement request	C n1	N	Not used
0032	Communications agreement ID	C an..35	R an..35	EDILEKTRO 2007 1.1
0035	Test indicator	C n1	C n1	Test indicator. 1 = test message. Empty = production message.

**Remark:**  
EDIFACT interchange. Provides details on sender and receiver as well as message timestamp, message identification and test message indicator.

**Example:**  
UNB+UNOC:3+7609999470806:14+9999999999990:14+191105:0910+4711++++EDILEKTRO 2007 1.1+1'

No = Consecutive segment number  
MaxOcc = Maximum occurrence of the segment/group  
Counter = Counter of segment/group within the standard

St = Status  
EDIFACT: M=Mandatory, C=Conditional  
User specific: R=Required, O=Optional, D=Dependent,  
A=Advised, N=Not used

Counter	No	Tag	St	MaxOcc	Level	Name
---------	----	-----	----	--------	-------	------

0010 3 **UNH** M 1 0 MESSAGE HEADER

		Standard	Implementation	
Tag	Name	St Format	St Format	Usage / Remark
UNH				
0062	Message reference number	M an..14	M an..14	Sender's unique message reference. Sequence number of the messages in the interchange. DE 0062 in the UNT will be exactly the same. Sender generated.
S009	MESSAGE IDENTIFIER	M	M	
0065	Message type identifier	M an..6	M an..6	<b>ORDERS Purchase order message</b>
0052	Message type version number	M an..3	M an..3	<b>D Draft version/UN/EDIFACT Directory</b>
0054	Message type release number	M an..3	M an..3	<b>96A Release 1996 - A</b>
0051	Controlling agency	M an..2	M an..2	<b>UN UN/CEFACT</b>
0057	Association assigned code	C an..6	R an..6	<b>EAN008 EAN Version 008</b>
0068	Common access reference	C an..35	N	Not used
S010	STATUS OF THE TRANSFER	C	N	
0070	Sequence message transfer number	M n..2	N	Not used
0073	First/last sequence message transfer indication	C a1	N	Not used

**Remark:**  
Used to head, identify and specify a message.

**Example:**  
UNH+BNU1056116-3+ORDERS:D:96A:UN:EAN008'

No = Consecutive segment number  
MaxOcc = Maximum occurrence of the segment/group  
Counter = Counter of segment/group within the standard

St = Status  
EDIFACT: M=Mandatory, C=Conditional  
User specific: R=Required, O=Optional, D=Dependent,  
A=Advised, N=Not used

Counter	No	Tag	St	MaxOcc	Level	Name
---------	----	-----	----	--------	-------	------

0020 4 **BGM** M 1 0 Beginning of message

		Standard	Implementation	
Tag	Name	St Format	St Format	Usage / Remark
BGM				
C002	Document/message name	C	C	
1001	Document/message name, coded	C an..3	R an..3	<b>220 Order</b>
1131	Code list qualifier	C an..3	N	Not used
3055	Code list responsible agency, coded	C an..3	N	Not used
1000	Document/message name	C an..35	N	Not used
1004	Document/message number	C an..35	R an..35	The purchase order number
1225	Message function, coded	C an..3	R an..3	<b>9 Original</b> The message function of the given purchase order. In case of REGENT only '9' is supported, which is an original order.
4343	Response type, coded	C an..3	N	Not used

**Remark:**  
Indicates the type and function of a message and the purchase order number.

**Example:**  
BGM+220+BNU1056116-3+9'

No = Consecutive segment number  
MaxOcc = Maximum occurrence of the segment/group  
Counter = Counter of segment/group within the standard

St = Status  
EDIFACT: M=Mandatory, C=Conditional  
User specific: R=Required, O=Optional, D=Dependent,  
A=Advised, N=Not used

Counter	No	Tag	St	MaxOcc	Level	Name
---------	----	-----	----	--------	-------	------

0030 5 **DTM** M 35 1 Date/time/period

Standard			Implementation	
Tag	Name	St Format	St Format	Usage / Remark
DTM				
C507	Date/time/period	M	M	
2005	Date/time/period qualifier	M an..3	M an..3	137 Document/message date/time
2380	Date/time/period	C an..35	R an..35	Date value.
2379	Date/time/period format qualifier	C an..3	R an..3	102 CCYYMMDD

**Remark:**  
The date, when the purchase order was issued.

**Example:**  
DTM+137:20201105:102'

No = Consecutive segment number  
 MaxOcc = Maximum occurrence of the segment/group  
 Counter = Counter of segment/group within the standard

St = Status  
 EDIFACT: M=Mandatory, C=Conditional  
 User specific: R=Required, O=Optional, D=Dependent,  
 A=Advised, N=Not used

Counter	No	Tag	St	MaxOcc	Level	Name
---------	----	-----	----	--------	-------	------

0070 6 **FTX** C 99 1 Free text

		Standard	Implementation	
Tag	Name	St Format	St Format	Usage / Remark
FTX				
4451	Text subject qualifier	M an..3	M an..3	<b>AAI General information</b>
4453	Text function, coded	C an..3	R an..3	<b>3 Text for immediate use</b>
C107	Text reference	C	N	
4441	Free text, coded	M an..3	N	Not used
1131	Code list qualifier	C an..3	N	Not used
3055	Code list responsible agency, coded	C an..3	N	Not used
C108	Text literal	C	C	
4440	Free text	M an..70	M an..70	Free text.
4440	Free text	C an..70	C an..70	Free text.
4440	Free text	C an..70	C an..70	
4440	Free text	C an..70	C an..70	
4440	Free text	C an..70	C an..70	
3453	Language, coded	C an..3	N	Not used

**Remark:**  
Used to provide additional free text information on the header level.

**Example:**  
FTX+AAI+3++Free text 1:Free text 2:Free text 3:Free text 4:Free text 5'

No = Consecutive segment number  
MaxOcc = Maximum occurrence of the segment/group  
Counter = Counter of segment/group within the standard

St = Status  
EDIFACT: M=Mandatory, C=Conditional  
User specific: R=Required, O=Optional, D=Dependent,  
A=Advised, N=Not used

Counter	No	Tag	St	MaxOcc	Level	Name
---------	----	-----	----	--------	-------	------

0070 7 **FTX** C 99 1 Free text

		Standard	Implementation	
Tag	Name	St Format	St Format	Usage / Remark
FTX				
4451	Text subject qualifier	M an..3	M an..3	<b>AAB Terms of payments</b>
4453	Text function, coded	C an..3	R an..3	<b>3 Text for immediate use</b>
C107	Text reference	C	N	
4441	Free text, coded	M an..3	N	Not used
1131	Code list qualifier	C an..3	N	Not used
3055	Code list responsible agency, coded	C an..3	N	Not used
C108	Text literal	C	C	
4440	Free text	M an..70	M an..70	Free text.
4440	Free text	C an..70	C an..70	Free text.
4440	Free text	C an..70	N	Not used
4440	Free text	C an..70	N	Not used
4440	Free text	C an..70	N	Not used
3453	Language, coded	C an..3	N	Not used

**Remark:**

Used to provide free text information about the payment terms.

**Example:**

FTX+AAB+3++Zahlung?: 2% Skonto - zahlbar innerhalb von 10 Tagen'

No = Consecutive segment number  
 MaxOcc = Maximum occurrence of the segment/group  
 Counter = Counter of segment/group within the standard

St = Status  
 EDIFACT: M=Mandatory, C=Conditional  
 User specific: R=Required, O=Optional, D=Dependent,  
 A=Advised, N=Not used



Counter	No	Tag	St	MaxOcc	Level	Name
---------	----	-----	----	--------	-------	------

0070 8 **FTX** C 99 1 Free text

		Standard	Implementation	
Tag	Name	St Format	St Format	Usage / Remark
FTX				
4451	Text subject qualifier	M an..3	M an..3	<b>AAR Terms of delivery</b>
4453	Text function, coded	C an..3	R an..3	<b>3 Text for immediate use</b>
C107	Text reference	C	N	
4441	Free text, coded	M an..3	N	Not used
1131	Code list qualifier	C an..3	N	Not used
3055	Code list responsible agency, coded	C an..3	N	Not used
C108	Text literal	C	C	
4440	Free text	M an..70	M an..70	Free text.
4440	Free text	C an..70	C an..70	Free text.
4440	Free text	C an..70	N	Not used
4440	Free text	C an..70	N	Not used
4440	Free text	C an..70	N	Not used
3453	Language, coded	C an..3	N	Not used

**Remark:**

Used to provide free text information about the transport details

**Example:**

FTX+AAR+3++Lieferart?: LKW'

No = Consecutive segment number  
 MaxOcc = Maximum occurrence of the segment/group  
 Counter = Counter of segment/group within the standard

St = Status  
 EDIFACT: M=Mandatory, C=Conditional  
 User specific: R=Required, O=Optional, D=Dependent,  
 A=Advised, N=Not used

Counter	No	Tag	St	MaxOcc	Level	Name
0110		<b>SG2</b>	C	99	1	<b>NAD-SG5</b> Details of the buyer
0120	9	<b>NAD</b>	M	1	1	<b>Name and address</b>

Standard			Implementation	
Tag	Name	St Format	St Format	Usage / Remark
NAD				
3035	Party qualifier	M an..3	M an..3	
C082	Party identification details	C	C	
3039	Party id. identification	M an..35	M an..35	GLN of the buyer.
1131	Code list qualifier	C an..3	N	Not used
3055	Code list responsible agency, coded	C an..3	R an..3	<b>9 EAN (International Article Numbering association)</b>
C058	Name and address	C	N	
3124	Name and address line	M an..35	N	Not used
3124	Name and address line	C an..35	N	Not used
3124	Name and address line	C an..35	N	Not used
3124	Name and address line	C an..35	N	Not used
3124	Name and address line	C an..35	N	Not used
C080	Party name	C	N	
3036	Party name	M an..35	N	Not used
3036	Party name	C an..35	N	Not used
3036	Party name	C an..35	N	Not used
3036	Party name	C an..35	N	Not used
3036	Party name	C an..35	N	Not used
3045	Party name format, coded	C an..3	N	Not used
C059	Street	C	N	
3042	Street and number/p.o. box	M an..35	N	Not used
3042	Street and number/p.o. box	C an..35	N	Not used
3042	Street and number/p.o. box	C an..35	N	Not used
3042	Street and number/p.o. box	C an..35	N	Not used
3164	City name	C an..35	N	Not used
3229	Country sub-entity identification	C an..9	N	Not used
3251	Postcode identification	C an..9	N	Not used
3207	Country, coded	C an..3	N	Not used

**Remark:**  
Identification of the buyer.

**Example:**  
NAD+BY+7609999470806::9'

No = Consecutive segment number  
MaxOcc = Maximum occurrence of the segment/group  
Counter = Counter of segment/group within the standard

St = Status  
EDIFACT: M=Mandatory, C=Conditional  
User specific: R=Required, O=Optional, D=Dependent,  
A=Advised, N=Not used

Counter	No	Tag	St	MaxOcc	Level	Name
	0210	<b>SG5</b>	C	5	2	<b>CTA-COM</b>
	0220	10 <b>CTA</b>	M	1	2	<b>Contact information</b>

		Standard	Implementation	
Tag	Name	St Format	St Format	Usage / Remark
CTA				
3139	Contact function, coded	C an..3	R an..3	<b>PD Purchasing contact</b>
C056	Department or employee details	C	C	
3413	Department or employee identification	C an..17	R an..17	Name of the purchasing agent.
3412	Department or employee	C an..35	N	Not used

**Remark:**  
Details of the purchasing agent at the buyer.

**Example:**  
CTA+PD+John Doe'

No = Consecutive segment number  
MaxOcc = Maximum occurrence of the segment/group  
Counter = Counter of segment/group within the standard

St = Status  
EDIFACT: M=Mandatory, C=Conditional  
User specific: R=Required, O=Optional, D=Dependent,  
A=Advised, N=Not used

Counter	No	Tag	St	MaxOcc	Level	Name
0210		<b>SG5</b>	C	5	2	<b>CTA-COM</b>
0230	11	<b>COM</b>	C	5	3	<b>Communication contact</b>

Standard			Implementation	
Tag	Name	St Format	St Format	Usage / Remark
COM				
C076	Communication contact	M	M	
3148	Communication number	M an..512	M an..512	Telephone number fo the purchasing agent.
3155	Communication channel qualifier	M an..3	M an..3	<b>TE Telephone</b>

**Remark:**

Telephone number of the purchasing agent.

**Example:**

COM+0041 61 335 52 98:TE'

No = Consecutive segment number  
 MaxOcc = Maximum occurrence of the segment/group  
 Counter = Counter of segment/group within the standard

St = Status  
 EDIFACT: M=Mandatory, C=Conditional  
 User specific: R=Required, O=Optional, D=Dependent,  
 A=Advised, N=Not used

Counter	No	Tag	St	MaxOcc	Level	Name
0210		<b>SG5</b>	C	5	2	<b>CTA-COM</b>
0230	12	<b>COM</b>	C	5	3	<b>Communication contact</b>

Standard			Implementation	
Tag	Name	St Format	St Format	Usage / Remark
COM				
C076	Communication contact	M	M	
3148	Communication number	M an..512	M an..512	Email address of the purchasing agent.
3155	Communication channel qualifier	M an..3	M an..3	<b>EM Electronic mail</b>

**Remark:**  
Email address of the purchasing agent.

**Example:**  
COM+john@doe.com:EM'

No = Consecutive segment number  
MaxOcc = Maximum occurrence of the segment/group  
Counter = Counter of segment/group within the standard

St = Status  
EDIFACT: M=Mandatory, C=Conditional  
User specific: R=Required, O=Optional, D=Dependent,  
A=Advised, N=Not used

Counter	No	Tag	St	MaxOcc	Level	Name
	0110	<b>SG2</b>	C	99	1	<b>NAD</b> Details of the supplier
	0120	13 <b>NAD</b>	M	1	1	<b>Name and address</b>

Standard			Implementation	
Tag	Name	St Format	St Format	Usage / Remark
NAD				
3035	Party qualifier	M an..3	M an..3	<b>SU Supplier</b>
C082	Party identification details	C	C	
3039	Party id. identification	M an..35	M an..35	GLN of the supplier
1131	Code list qualifier	C an..3	N	Not used
3055	Code list responsible agency, coded	C an..3	R an..3	<b>9 EAN (International Article Numbering association)</b>
C058	Name and address	C	N	
3124	Name and address line	M an..35	N	Not used
3124	Name and address line	C an..35	N	Not used
3124	Name and address line	C an..35	N	Not used
3124	Name and address line	C an..35	N	Not used
3124	Name and address line	C an..35	N	Not used
C080	Party name	C	N	
3036	Party name	M an..35	N	Not used
3036	Party name	C an..35	N	Not used
3036	Party name	C an..35	N	Not used
3036	Party name	C an..35	N	Not used
3036	Party name	C an..35	N	Not used
3045	Party name format, coded	C an..3	N	Not used
C059	Street	C	N	
3042	Street and number/p.o. box	M an..35	N	Not used
3042	Street and number/p.o. box	C an..35	N	Not used
3042	Street and number/p.o. box	C an..35	N	Not used
3042	Street and number/p.o. box	C an..35	N	Not used
3164	City name	C an..35	N	Not used
3229	Country sub-entity identification	C an..9	N	Not used
3251	Postcode identification	C an..9	N	Not used
3207	Country, coded	C an..3	N	Not used

**Remark:**  
Identification of the supplier

**Example:**  
NAD+SU+9999999999990::9'

No = Consecutive segment number  
MaxOcc = Maximum occurrence of the segment/group  
Counter = Counter of segment/group within the standard

St = Status  
EDIFACT: M=Mandatory, C=Conditional  
User specific: R=Required, O=Optional, D=Dependent,  
A=Advised, N=Not used

Counter	No	Tag	St	MaxOcc	Level	Name
	0110	<b>SG2</b>	C	99	1	<b>NAD</b> Details of the goods recipient
	0120	14 <b>NAD</b>	M	1	1	<b>Name and address</b>

Standard			Implementation	
Tag	Name	St Format	St Format	Usage / Remark
<b>NAD</b>				
3035	Party qualifier	M an..3	M an..3	<b>DP Delivery party</b>
C082	Party identification details	C	C	
3039	Party id. identification	M an..35	M an..35	GLN of the goods recipient.
1131	Code list qualifier	C an..3	N	Not used
3055	Code list responsible agency, coded	C an..3	R an..3	<b>9 EAN (International Article Numbering association)</b>
C058	Name and address	C	N	
3124	Name and address line	M an..35	N	Not used
3124	Name and address line	C an..35	N	Not used
3124	Name and address line	C an..35	N	Not used
3124	Name and address line	C an..35	N	Not used
3124	Name and address line	C an..35	N	Not used
C080	Party name	C	N	
3036	Party name	M an..35	N	Not used
3036	Party name	C an..35	N	Not used
3036	Party name	C an..35	N	Not used
3036	Party name	C an..35	N	Not used
3036	Party name	C an..35	N	Not used
3045	Party name format, coded	C an..3	N	Not used
C059	Street	C	N	
3042	Street and number/p.o. box	M an..35	N	Not used
3042	Street and number/p.o. box	C an..35	N	Not used
3042	Street and number/p.o. box	C an..35	N	Not used
3042	Street and number/p.o. box	C an..35	N	Not used
3164	City name	C an..35	N	Not used
3229	Country sub-entity identification	C an..9	N	Not used
3251	Postcode identification	C an..9	N	Not used
3207	Country, coded	C an..3	N	Not used

**Remark:**

Identification of the goods recipient

**Example:**

NAD+DP+9999999999991::9'

No = Consecutive segment number  
 MaxOcc = Maximum occurrence of the segment/group  
 Counter = Counter of segment/group within the standard

St = Status  
 EDIFACT: M=Mandatory, C=Conditional  
 User specific: R=Required, O=Optional, D=Dependent,  
 A=Advised, N=Not used

Counter	No	Tag	St	MaxOcc	Level	Name
0280		<b>SG7</b>	C	5	1	<b>CUX</b>
0290	15	<b>CUX</b>	M	1	1	<b>Currencies</b>

		Standard	Implementation	
Tag	Name	St Format	St Format	Usage / Remark
CUX				
C504	Currency details	C	C	
6347	Currency details qualifier	M an..3	M an..3	<b>2 Reference currency</b>
6345	Currency, coded	C an..3	R an..3	Currency of the purchase order (e.g., EUR = Euro, CHF = Swiss Francs, etc.)
6343	Currency qualifier	C an..3	R an..3	<b>9 Order currency</b>
6348	Currency rate base	C n..4	N	Not used
C504	Currency details	C	N	
6347	Currency details qualifier	M an..3	N	Not used
6345	Currency, coded	C an..3	N	Not used
6343	Currency qualifier	C an..3	N	Not used
6348	Currency rate base	C n..4	N	Not used
5402	Rate of exchange	C n..12	N	Not used
6341	Currency market exchange, coded	C an..3	N	Not used

**Remark:**  
Information about the currency being used in the purchase order.

**Example:**  
CUX+2 : CHF : 9'

No = Consecutive segment number  
MaxOcc = Maximum occurrence of the segment/group  
Counter = Counter of segment/group within the standard

St = Status  
EDIFACT: M=Mandatory, C=Conditional  
User specific: R=Required, O=Optional, D=Dependent,  
A=Advised, N=Not used



Counter	No	Tag	St	MaxOcc	Level	Name
0420		<b>SG11</b>	C	5	1	TOD
0430	16	<b>TOD</b>	M	1	1	Terms of delivery or transport

		Standard	Implementation	
Tag	Name	St Format	St Format	Usage / Remark
TOD				
4055	Terms of delivery or transport function, coded	C an..3	C an..3	<b>6 Delivery condition</b>
4215	Transport charges method of payment, coded	C an..3	N	Not used
C100	Terms of delivery or transport	C	C	
4053	Terms of delivery or transport, coded	C an..3	R an..3	<b>EXW Ex works</b> <b>FCA Free carrier - Named point</b> <b>FAS Free alongside ship</b> <b>FOB Free on Board - Named port of shipment</b> <b>CFR Cost &amp; Freight</b> <b>CIF Cost, Insurance, Freight to named destination</b> <b>CPT Freight, Carriage paid to destination</b> <b>CIP Freight, Carriage, Insurance to destination</b> <b>DAF Delivery at frontier - Named place</b> <b>DES Delivered Ex ship - Named port of destination</b> <b>DEQ Delivered Ex Quay - Duty paid, Named port</b> <b>DAP Delivered At Place</b> <b>DDP Delivered duty paid to destination</b> <b>DAT Delivered At Terminal</b> The terms of delivery or transport encoded as INCOTERMS.
1131	Code list qualifier	C an..3	N	Not used
3055	Code list responsible agency, coded	C an..3	N	Not used
4052	Terms of delivery or transport	C an..70	N	Not used
4052	Terms of delivery or transport	C an..70	N	Not used

**Remark:**  
Terms of delivery, provided as INCOTERMS

**Example:**  
TOD+6++CIF'

No = Consecutive segment number  
 MaxOcc = Maximum occurrence of the segment/group  
 Counter = Counter of segment/group within the standard

St = Status  
 EDIFACT: M=Mandatory, C=Conditional  
 User specific: R=Required, O=Optional, D=Dependent,  
 A=Advised, N=Not used

Counter	No	Tag	St	MaxOcc	Level	Name
0930		<b>SG25</b>	C	200000	1	LIN-PIA-IMD-QTY-DTM-SG28-SG39
0940	17	<b>LIN</b>	M	1	1	Line item

		Standard	Implementation	
Tag	Name	St Format	St Format	Usage / Remark
LIN				
1082	Line item number	C n..6	R n..6	Application generated number for the identification of purchase order lines. For the receiving system it is important to correctly process this number including all leading zeros, as this number will later be required for consecutive documents such as ORDRSP, DESADV and INVOIC.
1229	Action request/notification, coded	C an..3	N	Not used
C212	Item number identification	C	C	
7140	Item number	C an..35	R an..35	The buyer's article number.
7143	Item number type, coded	C an..3	R an..3	<b>BP Buyer's part number</b>
1131	Code list qualifier	C an..3	N	Not used
3055	Code list responsible agency, coded	C an..3	N	Not used
C829	Sub-line information	C	N	
5495	Sub-line indicator, coded	C an..3	N	Not used
1082	Line item number	C n..6	N	Not used
1222	Configuration level	C n..2	N	Not used
7083	Configuration, coded	C an..3	N	Not used

**Remark:**  
This segment is used to identify the item being ordered.

**Example:**  
LIN+10+++1017.7183:BP'

No = Consecutive segment number  
MaxOcc = Maximum occurrence of the segment/group  
Counter = Counter of segment/group within the standard

St = Status  
EDIFACT: M=Mandatory, C=Conditional  
User specific: R=Required, O=Optional, D=Dependent,  
A=Advised, N=Not used

Counter	No	Tag	St	MaxOcc	Level	Name
0930		<b>SG25</b>	C	200000	1	LIN-PIA-IMD-QTY-DTM-SG28-SG39
0950	18	<b>PIA</b>	C	25	2	Additional product id

		Standard	Implementation	
Tag	Name	St Format	St Format	Usage / Remark
PIA				
4347	Product id. function qualifier	M an..3	M an..3	<b>5 Product identification</b>
C212	Item number identification	M	M	
7140	Item number	C an..35	R an..35	For some of its products REGENT maintains also an old product number. This old product number is provided in this field as an additional product reference. For the unique identification of a purchase order item, the supplier shall use the product reference from the LIN segment only.
7143	Item number type, coded	C an..3	R an..3	<b>IN Buyer's item number</b>
1131	Code list qualifier	C an..3	N	Not used
3055	Code list responsible agency, coded	C an..3	N	Not used
C212	Item number identification	C	N	
7140	Item number	C an..35	N	Not used
7143	Item number type, coded	C an..3	N	Not used
1131	Code list qualifier	C an..3	N	Not used
3055	Code list responsible agency, coded	C an..3	N	Not used
C212	Item number identification	C	N	
7140	Item number	C an..35	N	Not used
7143	Item number type, coded	C an..3	N	Not used
1131	Code list qualifier	C an..3	N	Not used
3055	Code list responsible agency, coded	C an..3	N	Not used
C212	Item number identification	C	N	
7140	Item number	C an..35	N	Not used
7143	Item number type, coded	C an..3	N	Not used
1131	Code list qualifier	C an..3	N	Not used
3055	Code list responsible agency, coded	C an..3	N	Not used
C212	Item number identification	C	N	
7140	Item number	C an..35	N	Not used
7143	Item number type, coded	C an..3	N	Not used
1131	Code list qualifier	C an..3	N	Not used
3055	Code list responsible agency, coded	C an..3	N	Not used

**Remark:**  
Used to provide additional details of the ordered product.

**Example:**  
PIA+5+PLC13.84:IN'

No = Consecutive segment number  
MaxOcc = Maximum occurrence of the segment/group  
Counter = Counter of segment/group within the standard

St = Status  
EDIFACT: M=Mandatory, C=Conditional  
User specific: R=Required, O=Optional, D=Dependent,  
A=Advised, N=Not used

Counter	No	Tag	St	MaxOcc	Level	Name
0930		<b>SG25</b>	C	200000	1	LIN-PIA-IMD-QTY-DTM-SG28-SG39
0950	19	<b>PIA</b>	C	25	2	Additional product id

		Standard	Implementation	
Tag	Name	St Format	St Format	Usage / Remark
PIA				
4347	Product id. function qualifier	M an..3	M an..3	<b>5 Product identification</b>
C212	Item number identification	M	M	
7140	Item number	C an..35	R an..35	If available, REGENT will also provide the supplier's article number as an additional product reference. For the unique identification of a purchase order item, the supplier shall use the product reference from the LIN segment only.
7143	Item number type, coded	C an..3	R an..3	<b>SA Supplier's article number</b>
1131	Code list qualifier	C an..3	N	Not used
3055	Code list responsible agency, coded	C an..3	N	Not used
C212	Item number identification	C	N	
7140	Item number	C an..35	N	Not used
7143	Item number type, coded	C an..3	N	Not used
1131	Code list qualifier	C an..3	N	Not used
3055	Code list responsible agency, coded	C an..3	N	Not used
C212	Item number identification	C	N	
7140	Item number	C an..35	N	Not used
7143	Item number type, coded	C an..3	N	Not used
1131	Code list qualifier	C an..3	N	Not used
3055	Code list responsible agency, coded	C an..3	N	Not used
C212	Item number identification	C	N	
7140	Item number	C an..35	N	Not used
7143	Item number type, coded	C an..3	N	Not used
1131	Code list qualifier	C an..3	N	Not used
3055	Code list responsible agency, coded	C an..3	N	Not used
C212	Item number identification	C	N	
7140	Item number	C an..35	N	Not used
7143	Item number type, coded	C an..3	N	Not used
1131	Code list qualifier	C an..3	N	Not used
3055	Code list responsible agency, coded	C an..3	N	Not used

**Remark:**  
Used to provide additional details of the ordered product.

**Example:**  
PIA+5+871150062086670:SA'

No = Consecutive segment number  
MaxOcc = Maximum occurrence of the segment/group  
Counter = Counter of segment/group within the standard

St = Status  
EDIFACT: M=Mandatory, C=Conditional  
User specific: R=Required, O=Optional, D=Dependent,  
A=Advised, N=Not used

Counter	No	Tag	St	MaxOcc	Level	Name
0930		<b>SG25</b>	C	200000	1	LIN-PIA-IMD-QTY-DTM-SG28-SG39
0960	20	<b>IMD</b>	C	99	2	Item description

		Standard		Implementation		
Tag	Name	St	Format	St	Format	Usage / Remark
IMD						
7077	Item description type, coded	C	an..3	R	an..3	<b>F Free-form</b>
7081	Item characteristic, coded	C	an..3	N		Not used
C273	Item description	C		C		
7009	Item description identification	C	an..17	N		Not used
1131	Code list qualifier	C	an..3	N		Not used
3055	Code list responsible agency, coded	C	an..3	N		Not used
7008	Item description	C	an..35	R	an..35	
7008	Item description	C	an..35	N		Not used
3453	Language, coded	C	an..3	N		Not used
7383	Surface/layer indicator, coded	C	an..3	N		Not used

**Remark:**

Free text description of the product. Note that the length of the free text description must not exceed 1024 characters (including whitespaces).

**Example:**

IMD+F++:::Kompaktfluoreszenzlampe'

No = Consecutive segment number  
 MaxOcc = Maximum occurrence of the segment/group  
 Counter = Counter of segment/group within the standard

St = Status  
 EDIFACT: M=Mandatory, C=Conditional  
 User specific: R=Required, O=Optional, D=Dependent,  
 A=Advised, N=Not used

Counter	No	Tag	St	MaxOcc	Level	Name
0930		<b>SG25</b>	C	200000	1	LIN-PIA-IMD-QTY-DTM-SG28-SG39
0960	21	<b>IMD</b>	C	99	2	Item description

		Standard		Implementation		
Tag	Name	St	Format	St	Format	Usage / Remark
IMD						
7077	Item description type, coded	C	an..3	R	an..3	<b>B Code and text</b>
7081	Item characteristic, coded	C	an..3	N		Not used
C273	Item description	C		C		
7009	Item description identification	C	an..17	R	an..17	<b>DRNR Drawing number</b>
1131	Code list qualifier	C	an..3	N		Not used
3055	Code list responsible agency, coded	C	an..3	N		Not used
7008	Item description	C	an..35	R	an..35	The drawing number
7008	Item description	C	an..35	N		Not used
3453	Language, coded	C	an..3	N		Not used
7383	Surface/layer indicator, coded	C	an..3	N		Not used

**Remark:**  
Drawing number

**Example:**  
IMD+B++DRNR:::CAD 00094065'

No = Consecutive segment number  
MaxOcc = Maximum occurrence of the segment/group  
Counter = Counter of segment/group within the standard

St = Status  
EDIFACT: M=Mandatory, C=Conditional  
User specific: R=Required, O=Optional, D=Dependent,  
A=Advised, N=Not used

Counter	No	Tag	St	MaxOcc	Level	Name
0930		<b>SG25</b>	C	200000	1	LIN-PIA-IMD-QTY-DTM-SG28-SG39
0960	22	<b>IMD</b>	C	99	2	Item description

		Standard	Implementation	
Tag	Name	St Format	St Format	Usage / Remark
IMD				
7077	Item description type, coded	C an..3	R an..3	<b>B Code and text</b>
7081	Item characteristic, coded	C an..3	N	Not used
C273	Item description	C	C	
7009	Item description identification	C an..17	R an..17	<b>DRFT Drawing format</b>
1131	Code list qualifier	C an..3	N	Not used
3055	Code list responsible agency, coded	C an..3	N	Not used
7008	Item description	C an..35	R an..35	The drawing format
7008	Item description	C an..35	N	Not used
3453	Language, coded	C an..3	N	Not used
7383	Surface/layer indicator, coded	C an..3	N	Not used

**Remark:**  
Drawing format

**Example:**  
IMD+B++DRFT:::A4'

No = Consecutive segment number  
MaxOcc = Maximum occurrence of the segment/group  
Counter = Counter of segment/group within the standard

St = Status  
EDIFACT: M=Mandatory, C=Conditional  
User specific: R=Required, O=Optional, D=Dependent,  
A=Advised, N=Not used

Counter	No	Tag	St	MaxOcc	Level	Name
0930		<b>SG25</b>	C	200000	1	LIN-PIA-IMD-QTY-DTM-SG28-SG39
0960	23	<b>IMD</b>	C	99	2	Item description

Standard			Implementation	
Tag	Name	St Format	St Format	Usage / Remark
IMD				
7077	Item description type, coded	C an..3	R an..3	<b>B Code and text</b>
7081	Item characteristic, coded	C an..3	N	Not used
C273	Item description	C	C	
7009	Item description identification	C an..17	R an..17	<b>DRID Drawing index</b>
1131	Code list qualifier	C an..3	N	Not used
3055	Code list responsible agency, coded	C an..3	N	Not used
7008	Item description	C an..35	R an..35	The drawing index
7008	Item description	C an..35	N	Not used
3453	Language, coded	C an..3	N	Not used
7383	Surface/layer indicator, coded	C an..3	N	Not used

**Remark:**  
Drawing index

**Example:**  
IMD+B++DRID:::B'

No = Consecutive segment number  
MaxOcc = Maximum occurrence of the segment/group  
Counter = Counter of segment/group within the standard

St = Status  
EDIFACT: M=Mandatory, C=Conditional  
User specific: R=Required, O=Optional, D=Dependent,  
A=Advised, N=Not used



Counter	No	Tag	St	MaxOcc	Level	Name
0930		<b>SG25</b>	C	200000	1	LIN-PIA-IMD-QTY-DTM-SG28-SG39
0980	24	<b>QTY</b>	C	10	2	Quantity

		Standard	Implementation	
Tag	Name	St Format	St Format	Usage / Remark
QTY				
C186	Quantity details	M	M	
6063	Quantity qualifier	M an..3	M an..3	<b>21 Ordered quantity</b>
6060	Quantity	M n..15	M n..15	The ordered quantity
6411	Measure unit qualifier	C an..3	R an..3	<b>PCE Piece (EAN Code)</b>

**Remark:**  
The ordered quantity

**Example:**  
QTY+21:12:PCE'

No = Consecutive segment number  
MaxOcc = Maximum occurrence of the segment/group  
Counter = Counter of segment/group within the standard

St = Status  
EDIFACT: M=Mandatory, C=Conditional  
User specific: R=Required, O=Optional, D=Dependent,  
A=Advised, N=Not used

Counter	No	Tag	St	MaxOcc	Level	Name
0930		<b>SG25</b>	C	200000	1	LIN-PIA-IMD-QTY-DTM-SG28-SG39
1010	25	<b>DTM</b>	C	35	2	Date/time/period

		Standard	Implementation	
Tag	Name	St Format	St Format	Usage / Remark
DTM				
C507	Date/time/period	M	M	
2005	Date/time/period qualifier	M an..3	M an..3	<b>2 Delivery date/time, requested</b>
2380	Date/time/period	C an..35	R an..35	Date value
2379	Date/time/period format qualifier	C an..3	R an..3	<b>102 CCYYMMDD</b>

**Remark:**  
The requested delivery date.

**Example:**  
DTM+2:20191115:102'

No = Consecutive segment number  
 MaxOcc = Maximum occurrence of the segment/group  
 Counter = Counter of segment/group within the standard

St = Status  
 EDIFACT: M=Mandatory, C=Conditional  
 User specific: R=Required, O=Optional, D=Dependent,  
 A=Advised, N=Not used

Counter	No	Tag	St	MaxOcc	Level	Name
1180		<b>SG28</b>	C	25	2	<b>PRI</b>
1190	26	<b>PRI</b>	M	1	2	<b>Price details</b>

Standard			Implementation	
Tag	Name	St Format	St Format	Usage / Remark
PRI				
C509	Price information	C	C	
5125	Price qualifier	M an..3	M an..3	<b>AAA Calculation net</b>
5118	Price	C n..15	R n..15	The price of the ordered product. The price is always provided on a per-one piece basis. The price is provided as calculation net, thus any surcharges and allowances have already been applied to the price.
5375	Price type, coded	C an..3	N	Not used
5387	Price type qualifier	C an..3	N	Not used
5284	Unit price basis	C n..9	C n..9	The price is always provided on a per-one-piece basis.
6411	Measure unit qualifier	C an..3	R an..3	<b>PCE Piece (EAN Code)</b>
5213	Sub-line price change, coded	C an..3	N	Not used

**Remark:**  
The price of the ordered product.

**Example:**  
PRI+AAA:9.98:::1:PCE'

No = Consecutive segment number  
MaxOcc = Maximum occurrence of the segment/group  
Counter = Counter of segment/group within the standard

St = Status  
EDIFACT: M=Mandatory, C=Conditional  
User specific: R=Required, O=Optional, D=Dependent,  
A=Advised, N=Not used

Counter	No	Tag	St	MaxOcc	Level	Name
1600		<b>SG39</b>	C	99	2	ALC
1610	27	<b>ALC</b>	M	1	2	Allowance or charge

		Standard		Implementation		
Tag	Name	St	Format	St	Format	Usage / Remark
ALC						
5463	Allowance or charge qualifier	M	an..3	M	an..3	<b>A Allowance</b>
C552	Allowance/charge information	C		C		
1230	Allowance or charge number	C	an..35	R	an..35	The granted allowance in percent.
5189	Charge/allowance description, coded	C	an..3	N		Not used
4471	Settlement, coded	C	an..3	N		Not used
1227	Calculation sequence indicator, coded	C	an..3	N		Not used
C214	Special services identification	C		C		
7161	Special services, coded	C	an..3	R	an..3	<b>DI Discount</b>
1131	Code list qualifier	C	an..3	N		Not used
3055	Code list responsible agency, coded	C	an..3	N		Not used
7160	Special service	C	an..35	N		Not used
7160	Special service	C	an..35	N		Not used

**Remark:**

Information on the allowance, which has been granted on the line item price. Note, that the allowance is already deducted from the price and this segment is for informational purposes only.

**Example:**

ALC+A+3.5+++DI'

No = Consecutive segment number  
 MaxOcc = Maximum occurrence of the segment/group  
 Counter = Counter of segment/group within the standard

St = Status  
 EDIFACT: M=Mandatory, C=Conditional  
 User specific: R=Required, O=Optional, D=Dependent,  
 A=Advised, N=Not used

Counter	No	Tag	St	MaxOcc	Level	Name
---------	----	-----	----	--------	-------	------

2090	28	<b>UNS</b>	M	1	0	SECTION CONTROL
------	----	------------	---	---	---	-----------------

Standard			Implementation	
Tag	Name	St Format	St Format	Usage / Remark
UNS				
0081	Section identification	M a1	M a1	<b>S Detail/summary section separation</b>

**Remark:**

**Example:**

UNS+S'

No = Consecutive segment number  
 MaxOcc = Maximum occurrence of the segment/group  
 Counter = Counter of segment/group within the standard

St = Status  
 EDIFACT: M=Mandatory, C=Conditional  
 User specific: R=Required, O=Optional, D=Dependent,  
 A=Advised, N=Not used

Counter	No	Tag	St	MaxOcc	Level	Name
---------	----	-----	----	--------	-------	------

2100	29	<b>MOA</b>	C	12	1	Monetary amount
------	----	------------	---	----	---	-----------------

		Standard		Implementation		
Tag	Name	St	Format	St	Format	Usage / Remark
MOA						
C516	Monetary amount	M		M		
5025	Monetary amount type qualifier	M	an..3	M	an..3	<b>79 Total line items amount</b>
5004	Monetary amount	C	n..18	C	n..18	The sum of all line item amounts
6345	Currency, coded	C	an..3	N		Not used
6343	Currency qualifier	C	an..3	N		Not used
4405	Status, coded	C	an..3	N		Not used

**Remark:**  
Value of the entire purchase order.

**Example:**  
MOA+79:119.76'

No = Consecutive segment number  
MaxOcc = Maximum occurrence of the segment/group  
Counter = Counter of segment/group within the standard

St = Status  
EDIFACT: M=Mandatory, C=Conditional  
User specific: R=Required, O=Optional, D=Dependent,  
A=Advised, N=Not used

Counter	No	Tag	St	MaxOcc	Level	Name
2160	30	<b>UNT</b>	M	1	0	MESSAGE TRAILER

		Standard	Implementation	
Tag	Name	St Format	St Format	Usage / Remark
UNT				
0074	Number of segments in a message	M n..6	M n..6	
0062	Message reference number	M an..14	M an..14	

**Remark:**

**Example:**

UNT+28+BNU1056116-3'

No = Consecutive segment number  
 MaxOcc = Maximum occurrence of the segment/group  
 Counter = Counter of segment/group within the standard

St = Status  
 EDIFACT: M=Mandatory, C=Conditional  
 User specific: R=Required, O=Optional, D=Dependent,  
 A=Advised, N=Not used

Counter	No	Tag	St	MaxOcc	Level	Name
---------	----	-----	----	--------	-------	------

0000 31 **UNZ** M 1 0 INTERCHANGE TRAILER

Standard			Implementation	
Tag	Name	St Format	St Format	Usage / Remark
UNZ				
0036	Interchange control count	M n..6	M n..6	
0020	Interchange control reference	M an..14	M an..14	

**Remark:**

**Example:**

UNZ+1+4711'

No = Consecutive segment number  
 MaxOcc = Maximum occurrence of the segment/group  
 Counter = Counter of segment/group within the standard

St = Status  
 EDIFACT: M=Mandatory, C=Conditional  
 User specific: R=Required, O=Optional, D=Dependent,  
 A=Advised, N=Not used